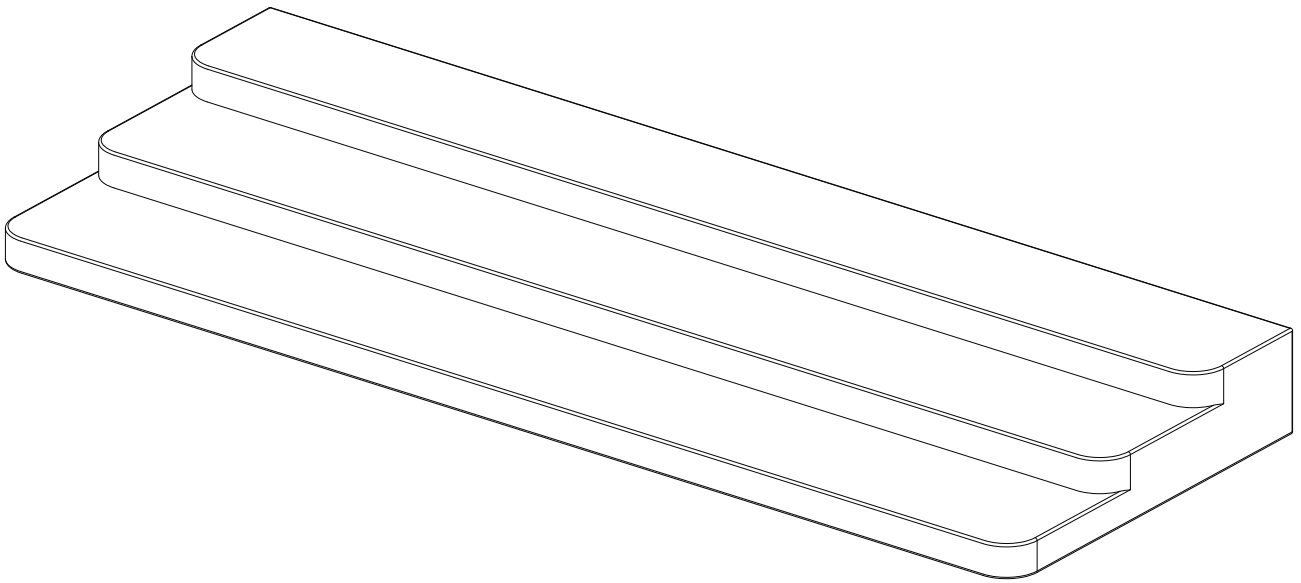
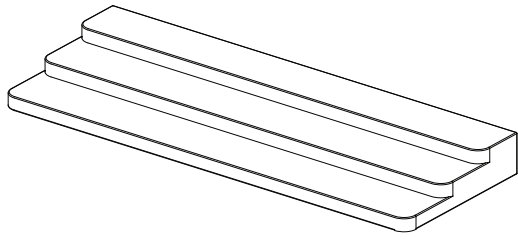


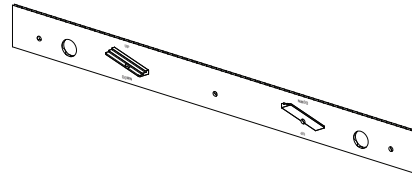
# 123 Shelf



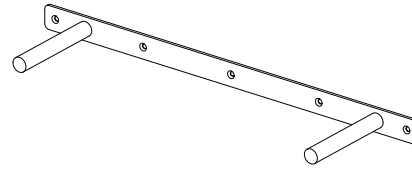
## Components



(A) Shelf



(B) Guideline



(C) Mounting Bracket



X5

(D) Screw



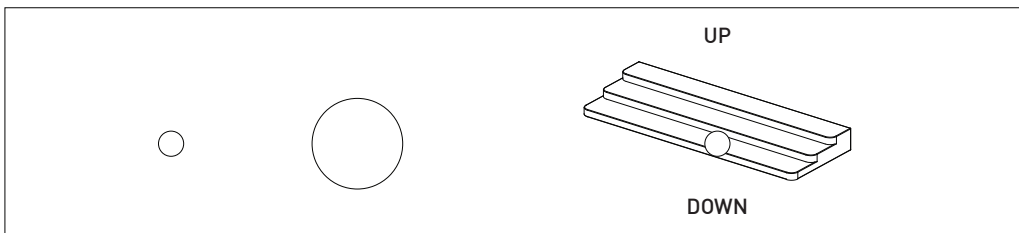
X5

(E) Wall Plug

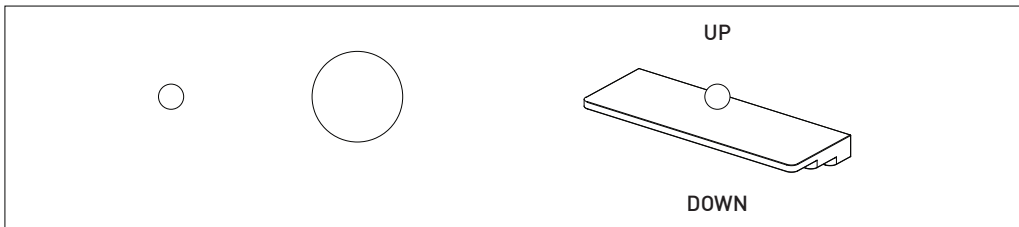
## Assembly Instruction

1.

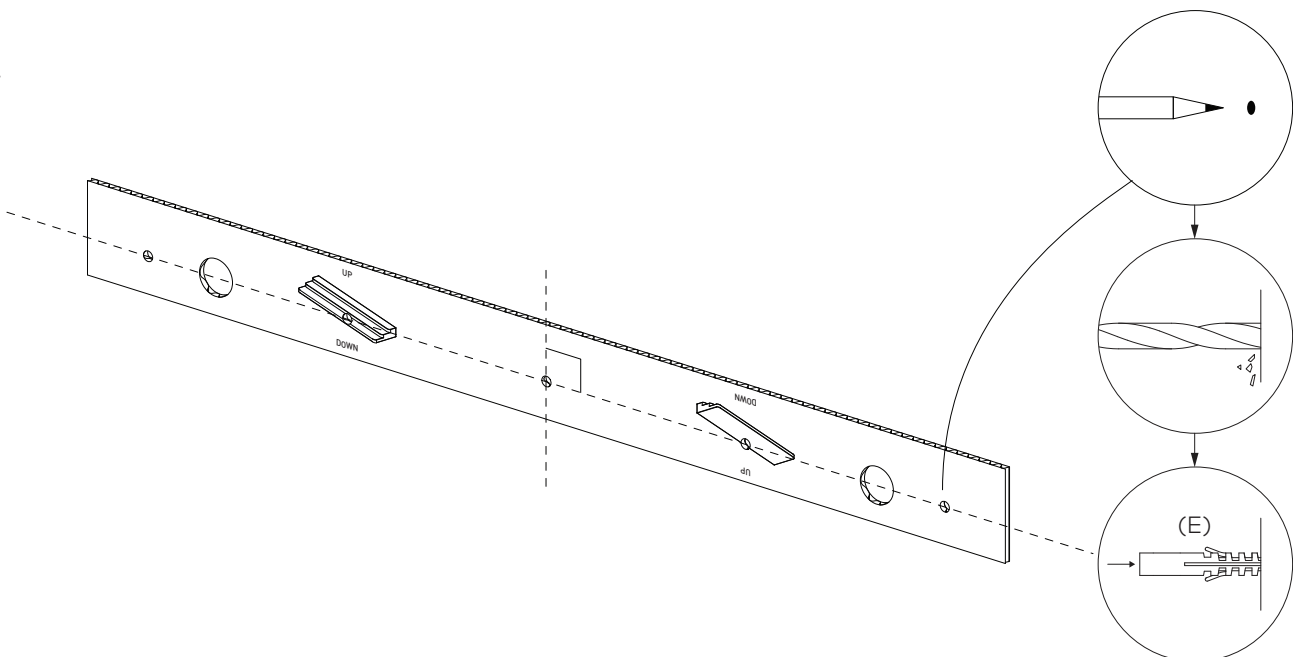
(B)



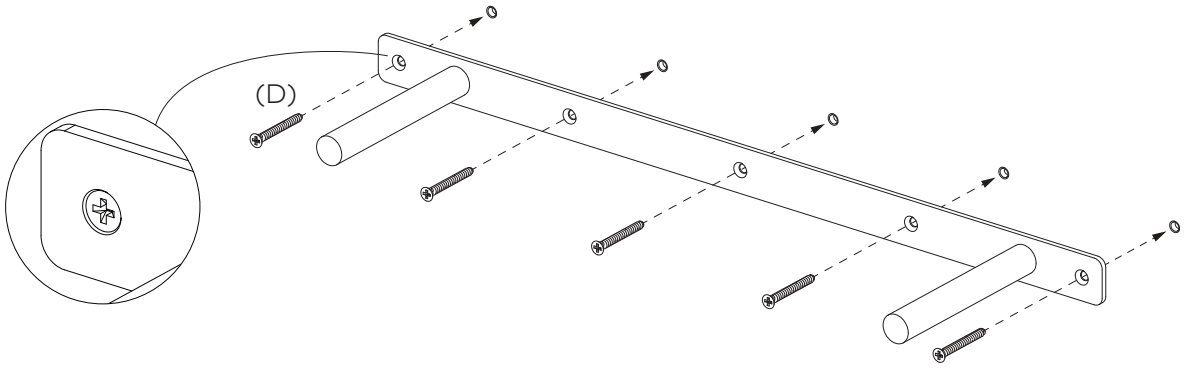
Choose which side to install.



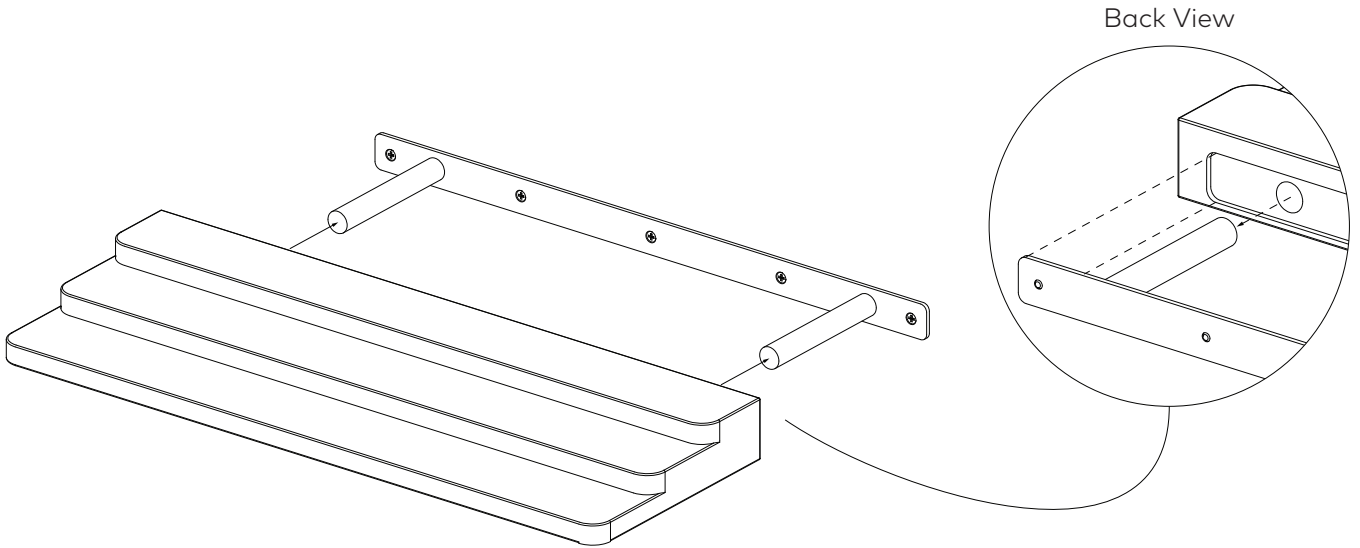
2.



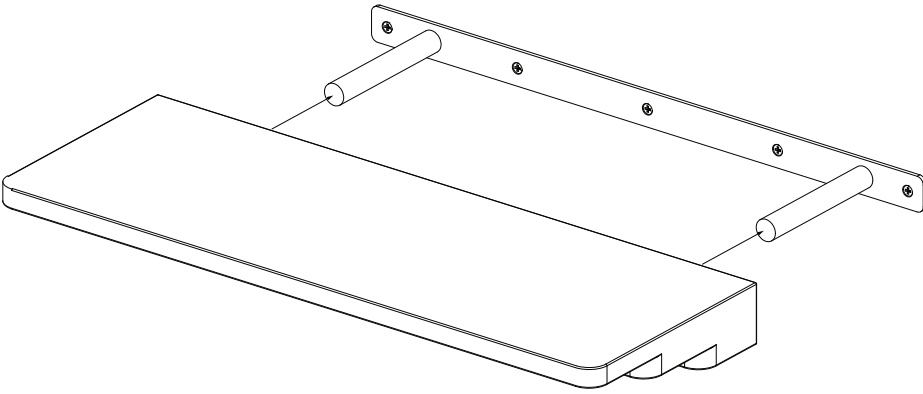
3.



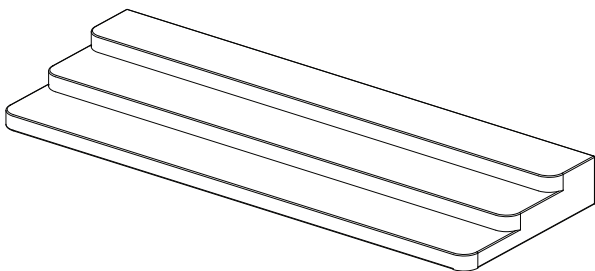
4.



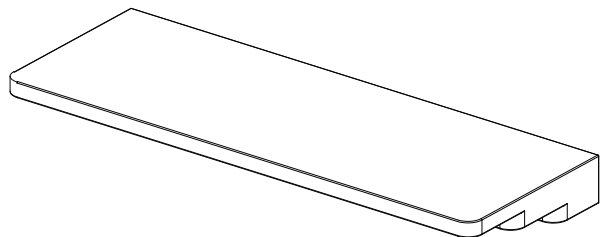
or



5.



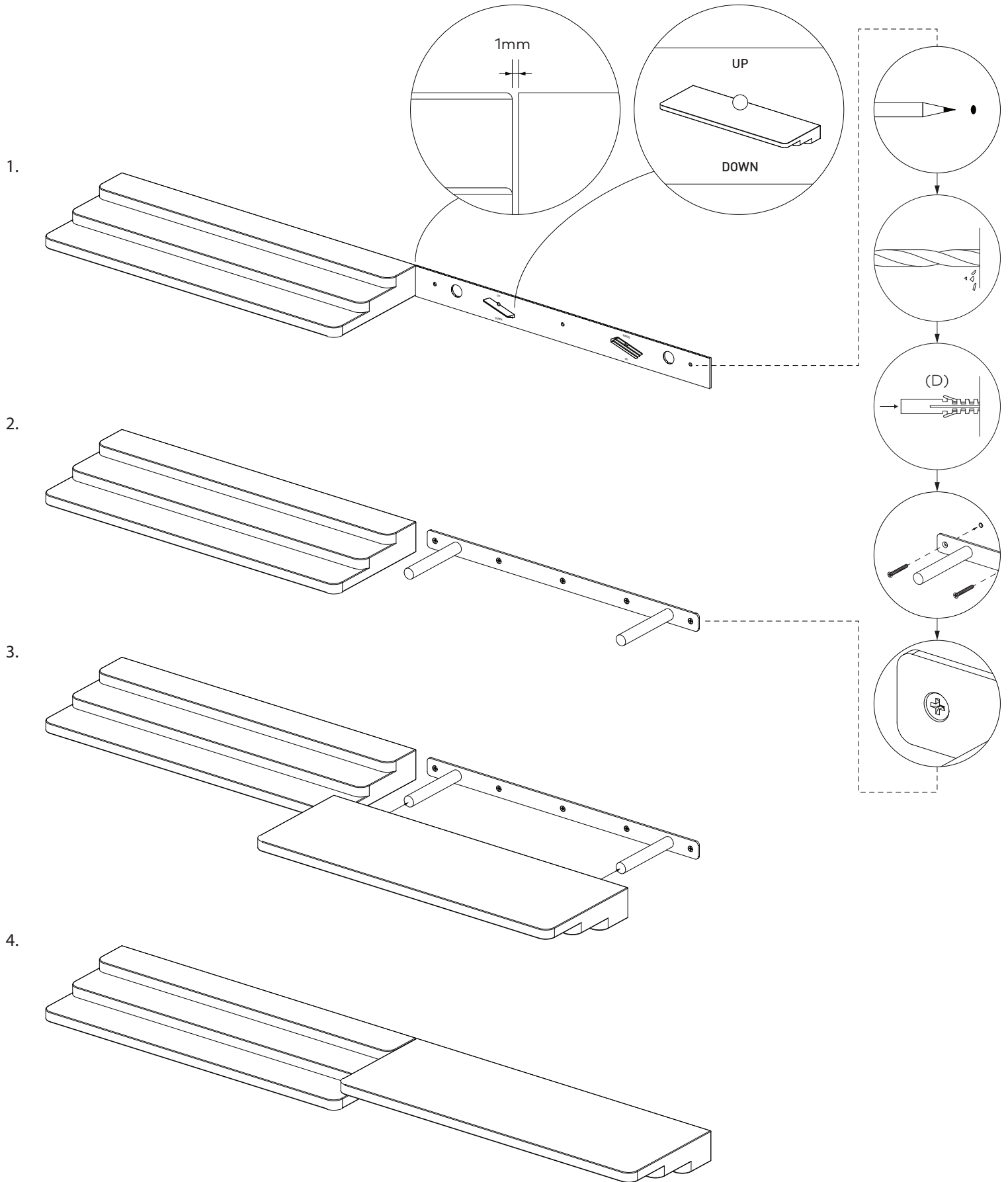
or



Total max. load:  
8 kg / 17.6 lbs

**Do not** overload over 8 kg.  
This may damage the  
product and cause injury.

# Instruction guideline for more than one shelf at the same level.



## Care and Maintenance

### **Powder Coated Steel**

Clean with a soft cloth and a mixture of a mild detergent and warm water. Wipe dry with a clean, soft cloth.

Or use a soft brush (non-abrasive) and a dilute solution of a mild detergent, eg, pH-neutral liquid hand dishwashing detergent in warm water (DO NOT use solvents) to remove dust, salt and other deposits.

Do not use abrasive, alcohol-based, or solvent-based cleaners, they may damage the surface. Detergents that recommend the use of gloves when handling should be avoided as this is a good indication that the detergent is harsh and therefore, unsuitable for cleaning your powder coating.

Lift product to move them rather than dragging them over the finished surface.

### **Stained Wood**

Clean dust several times a week in order to maintain a clean surface and protect the finish from soil build up. Use a clean, lint-free, absorbent cloth for general dusting. Protect all wooden furniture from direct sunlight. Exposure to the sun's rays can dry out the wood and actually bleach out the color.

Avoid both extremely moist or dry air. Use a humidifier or dehumidifier when needed to help keep wood from drying out or warping. Also, don't place your wood furniture near air vents; the forced air will adversely affect the wood.

Use protective pads or felt to the bottom of the product to avoid scratching the wood. Lift product to move them rather than dragging them over the finished surface.

Clean the wood furniture surfaces once a year with a sudsy solution of mild soap and water.

Using a clean, soft cloth from which most of the water has been wrung, work on a small area at a time. Overlap areas as you work. Clean with the sudsy solution, then rinse with a soap-free dampened cloth. Dry immediately with a soft, lint-free cloth.

### **Cork**

For natural cork finish clean it frequently with a slightly damp cloth and neutral soap (laundry soap, for example).

If it is very dirty, gently rub the affected area with wet cloth or brush with water to remove the dirt or stain.

For stained cork finish clean it frequently with a slightly damp cloth and neutral soap (laundry soap, for example).

Our cork product can be use indoor or outdoor. If it is wet caused by rain, place is outdoor or near air vents for quick dry. Use protective pads or felt to the bottom of the product to avoid spilling any beverages with colors to the cork. Lift product to move them rather than dragging them over the finished surface.

### **Marble**

Our marble was made with a matte finish surface. There may be sand holes, glass veins and porosities in the surface, all are natural distinctive marks. Wiping down countertops and surfaces with warm water and a non-abrasive sponge or cloth is the best method for cleaning, but it will not remove etching or stains that have had time to permeate the marble surface. Dry the marble top with a cloth and buff it to a shine by rubbing the entire surface with the cloth in small circles.

Marble is very prone to water spots, dry it instantly after every cleaning process. Use coasters or cutting boards. Wipe up spills immediately. Avoid using acidic or abrasive cleaners.

### **Polished Brass**

Carefully remove any loose deposits with a wet, clean cloth. Wash your brass item with soap and dry with a paper towel. When done, clean and dry with a piece of paper towel or soft cloth.

Patina with use, a metal polishing liquid like Brasso can be used to polish the surface. Depending on the location of the damage, deep scratches may be ground out and the surface re-polished but this should only be done by a professional.

Small imperfections on the surface could happen and are part of the charm of the product. They will never affect the overall aesthetic of the product and its ability for use as intended.

### **Stainless Steel**

Mirror polished stainless-steel finishes should be cleaned with rubbing alcohol and wiped with microfiber towels.

Avoid the use of oily rags or greasy cloths when wiping the surface. Such rubbing alcohol can be used as often as necessary. Do not use any detergent that has mild powder or any, it will damage and scratch the surface immediately.